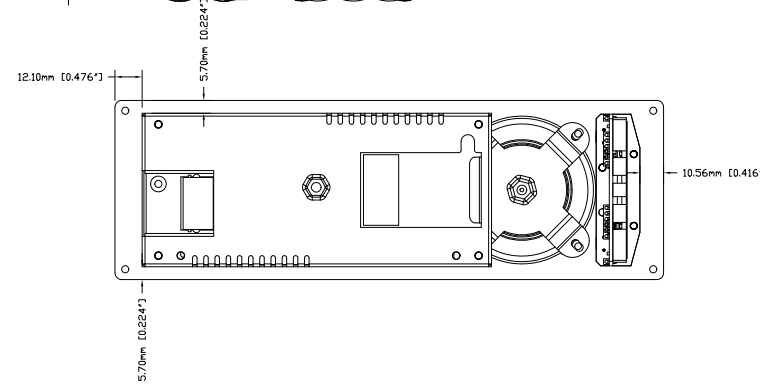
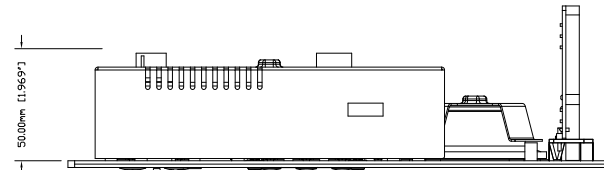
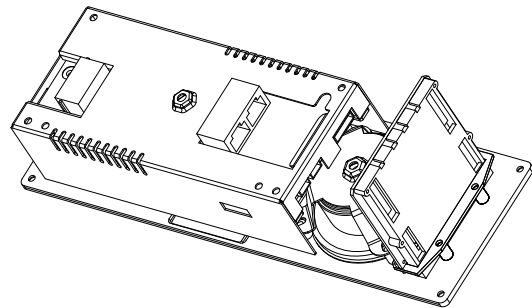
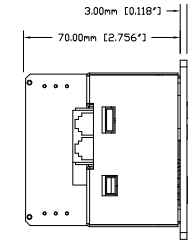
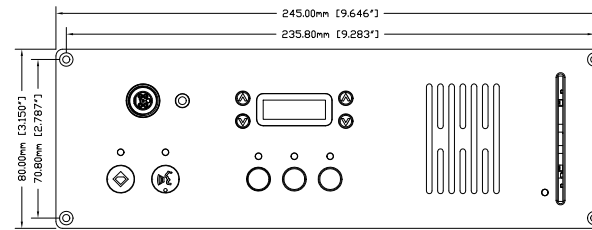
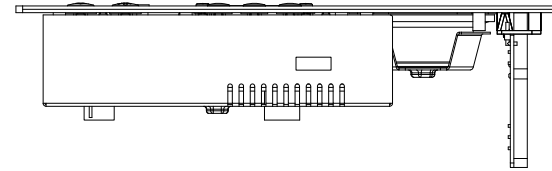
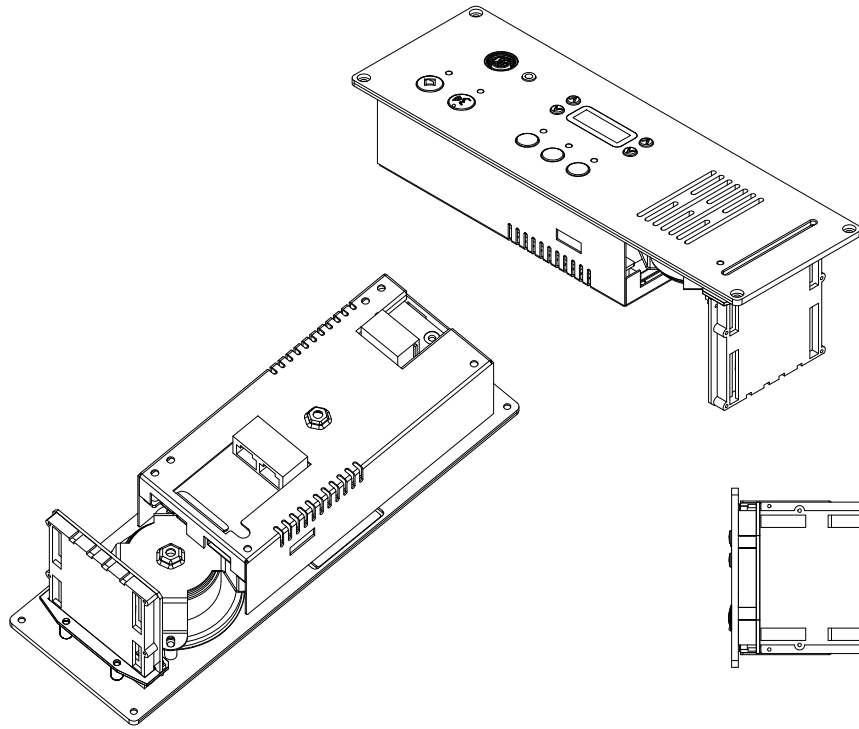


NO.	DESCRIPTION	DATE

HCS-48U10CVS-CVSE-80



PROJECT NAME						PROJECT NO.	
DESIGN NAME						DESIGN NO.	
DESIGNED BY	BAH	DATE	2020-0-10	SCALE	1:1		
CHECK BY	ASIA	DATE	2020-0-10	APP			
APPROVAL BY		DATE					