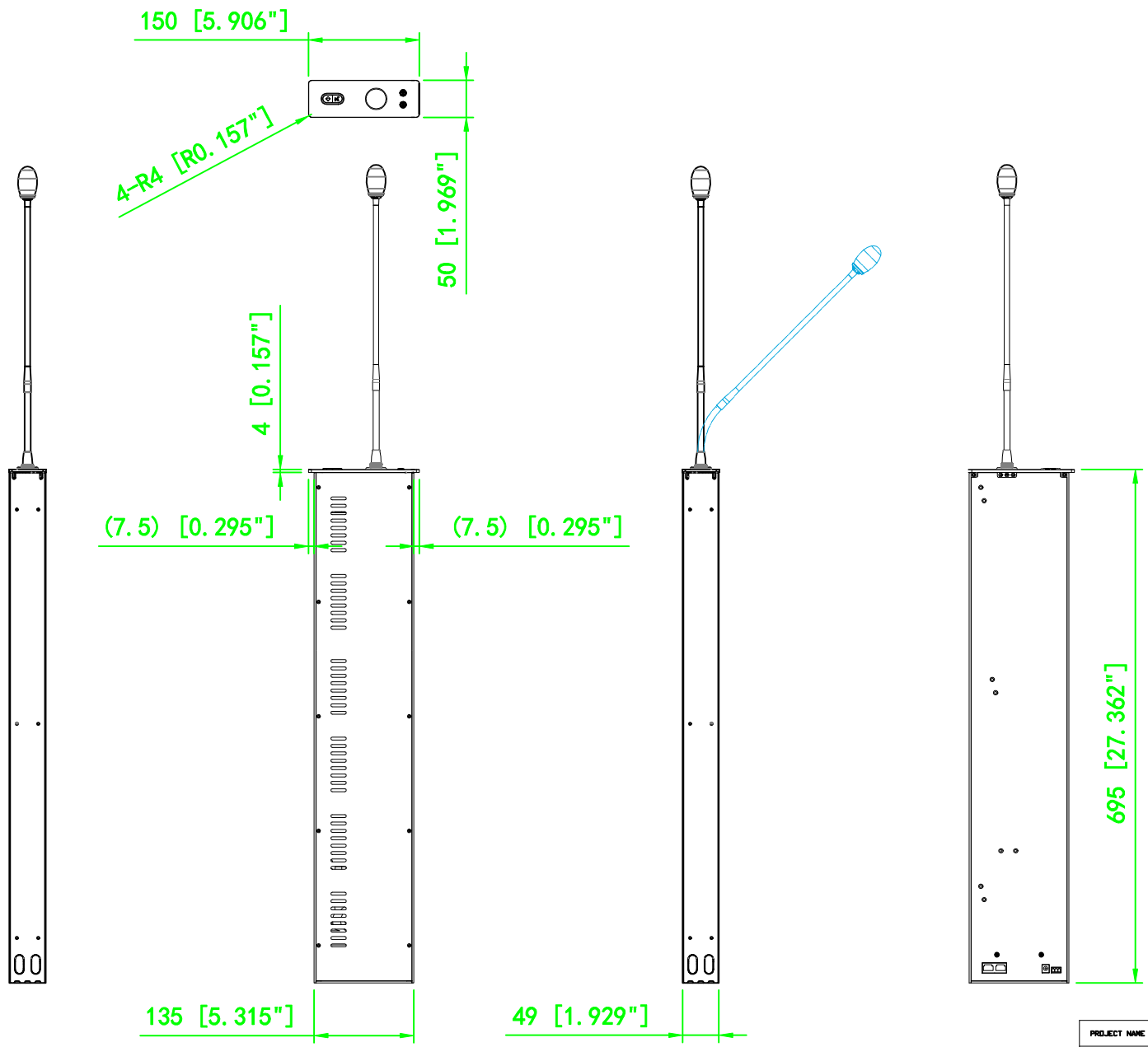


# HCS-4857C

NO.	DESCRIPTION	DATE



PROJECT NAME				PROJECT NO. HCS-4857C			
DRAWING NAME				DRAWING NO.			
DESIGNED BY	DATE	SHEET	UNIT	SCALE	3rd ANGLE PROJECTION		
CHECK BY	DATE	2/1	MM	1:1			
APPROVAL BY	DATE	<b>TAIDEN</b>		TAIDEN INDUSTRIAL CO.,LTD.			