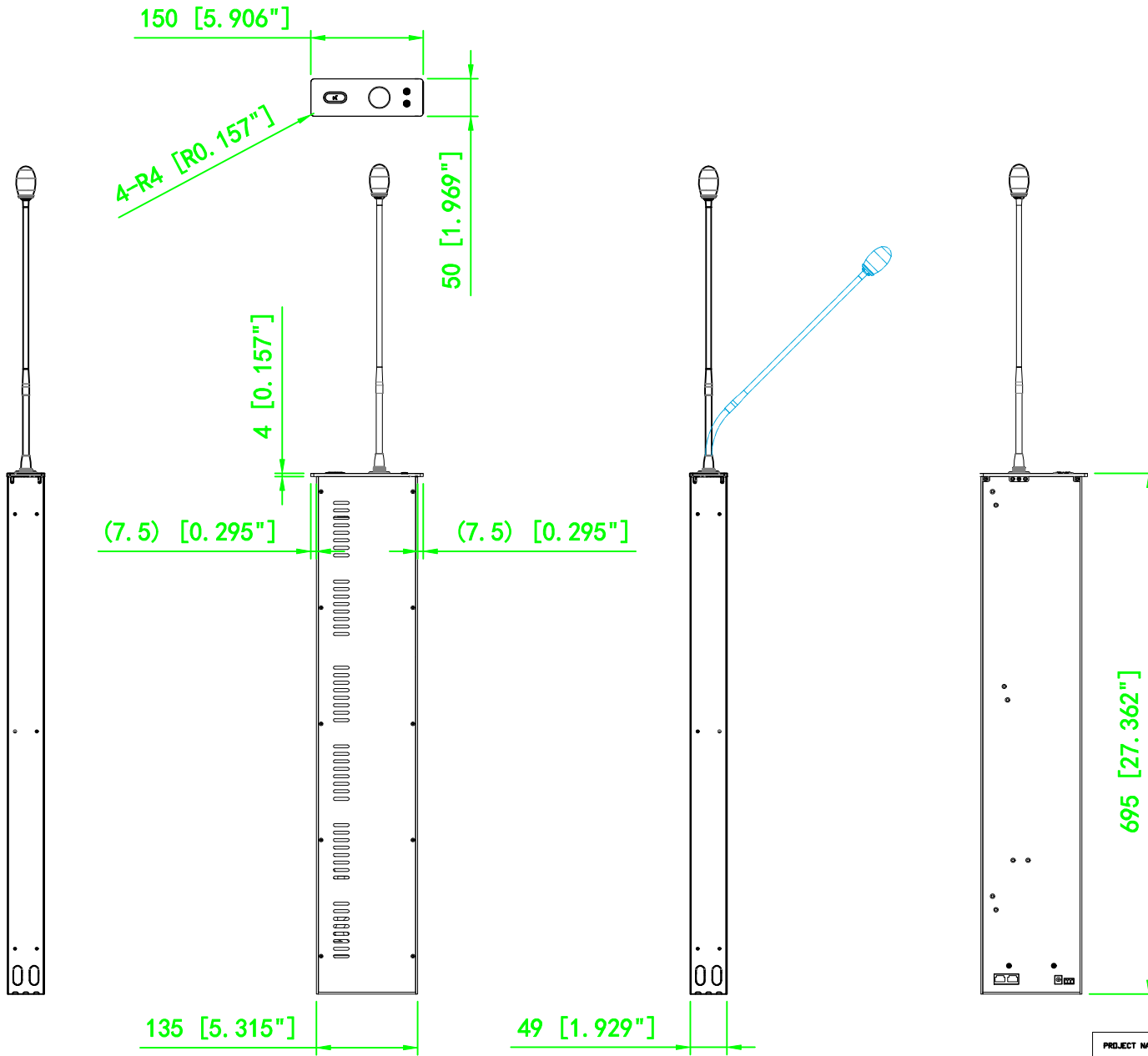


# HCS-4857D

NO.	DESCRIPTION	DATE



PROJECT NAME							PROJECT NO.	HCS-4857D	
DRAWING NAME							DRAWING NO.		
DESIGNED BY		DATE		SHEET	UNIT	SCALE	3rd ANGLE PROJECTION		
CHECK BY		DATE		2/1	mm	1:1			
APPROVAL BY		DATE		<b>TAIDEN</b>		TAIDEN INDUSTRIAL CO.,LTD.			