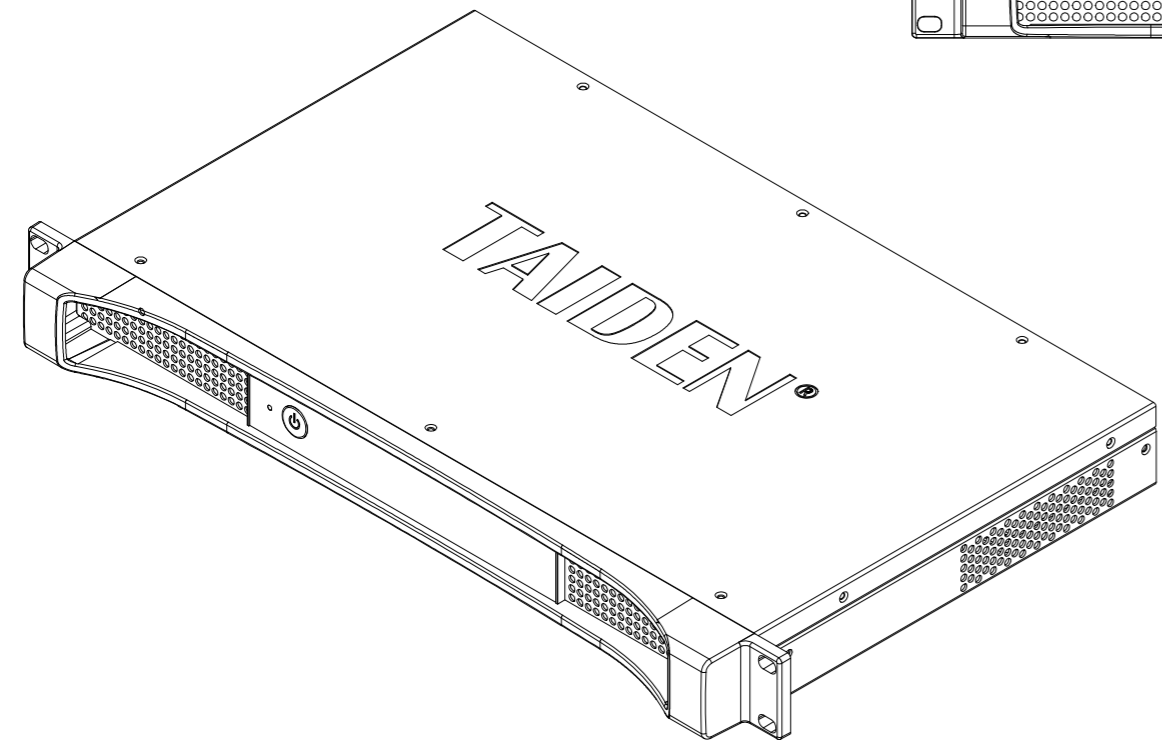
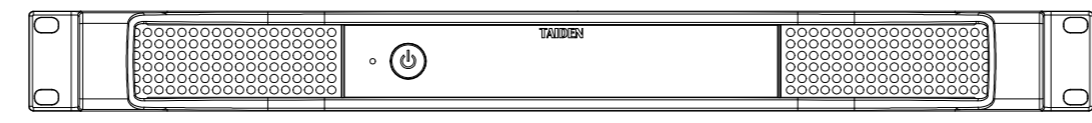
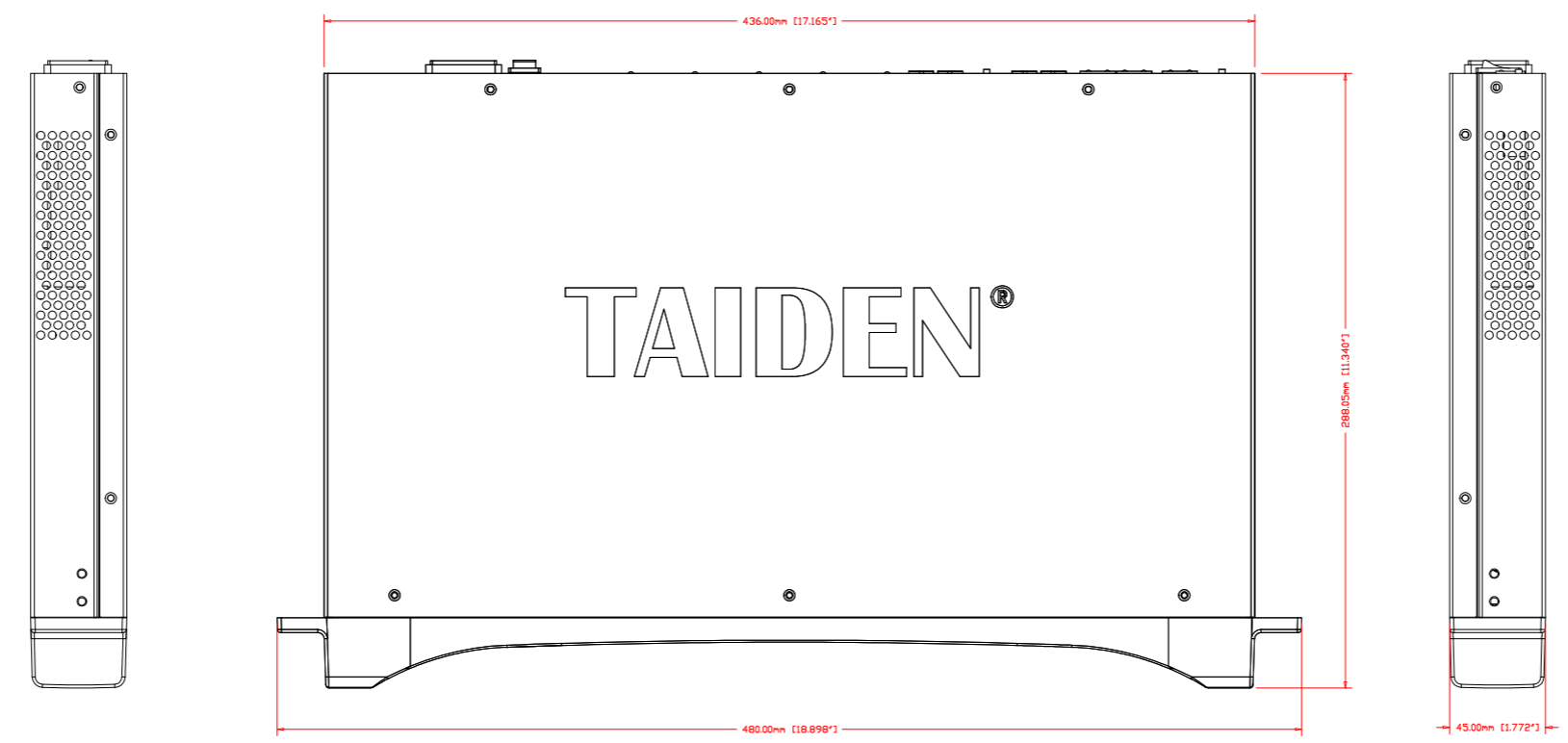
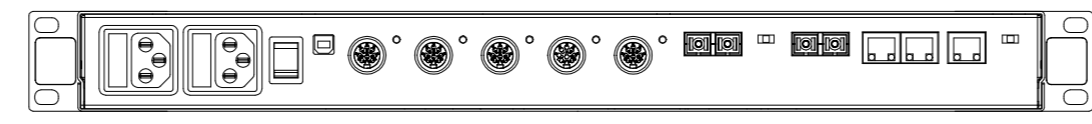


NO.	DESCRIPTION	DATE

HCS-8600MEA2



PROJECT NAME		PROJECT NO.	
DRAWING NAME		DRAWING NO.	
DESIGNED BY	DATE	2017-3-16	SCALE 1:1
CHECK BY	DATE		UNIT
APPROVAL BY	DATE		