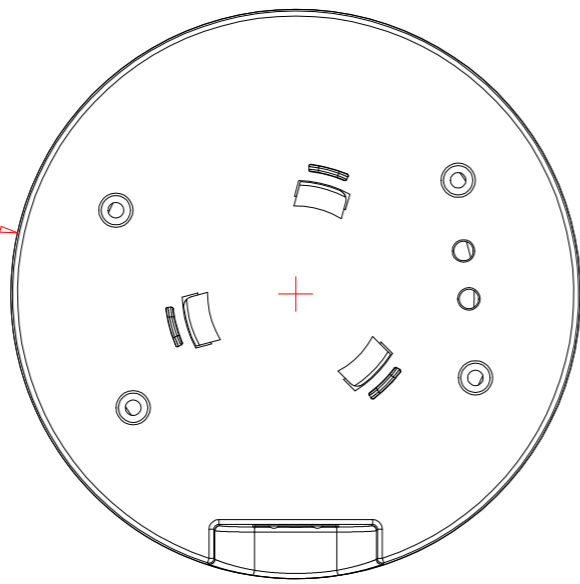
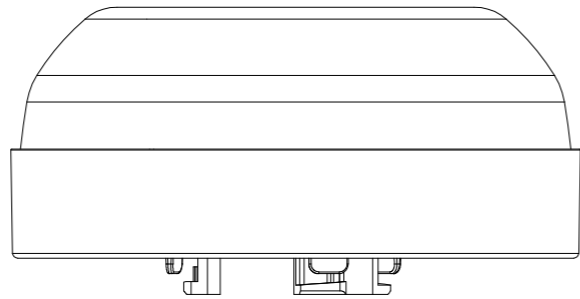
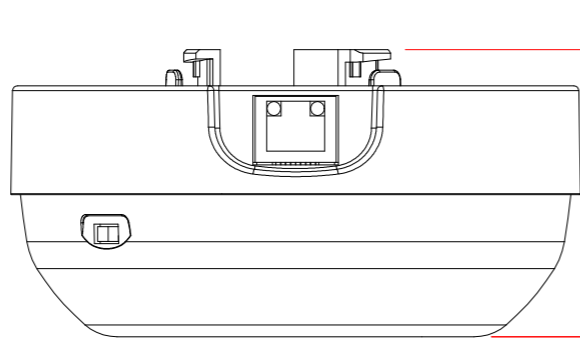
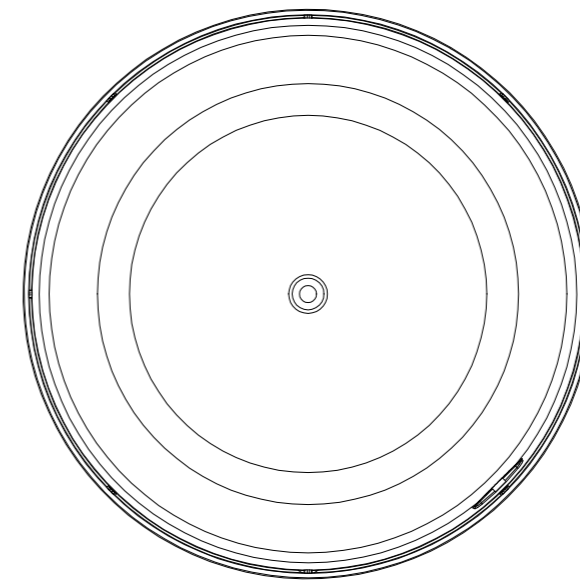
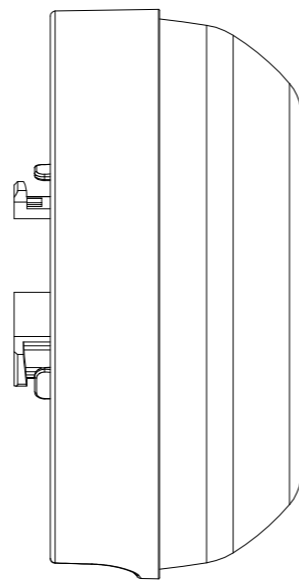


TES-5600RN/30

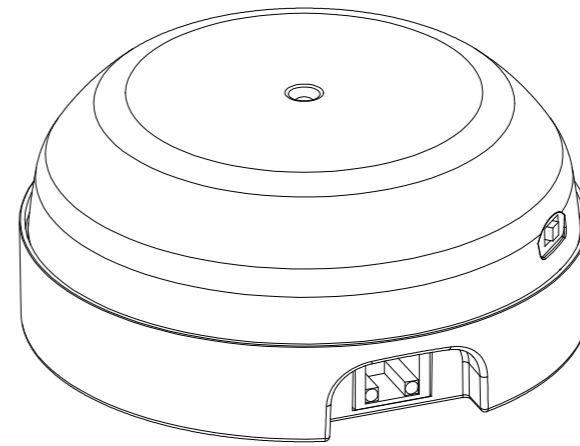
NO.	DESCRIPTION	DATE



ø99.01mm [ø3.898"]



43.62mm [1.717"]
49.91mm [1.965"]



PROJECT NAME		PROJECT NO.	
DESIGNED BY	DATE	DRAWN NO.	DATE
CHECK BY	DATE	SCALE	1:1
APPROVAL NO.	DATE	UNIT	MM

TRAVIEN®
TRAVIEN INDUSTRIAL CO., LTD.