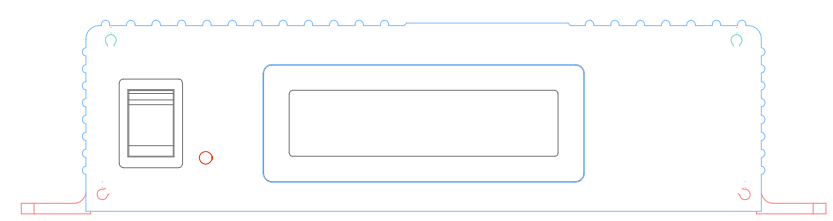
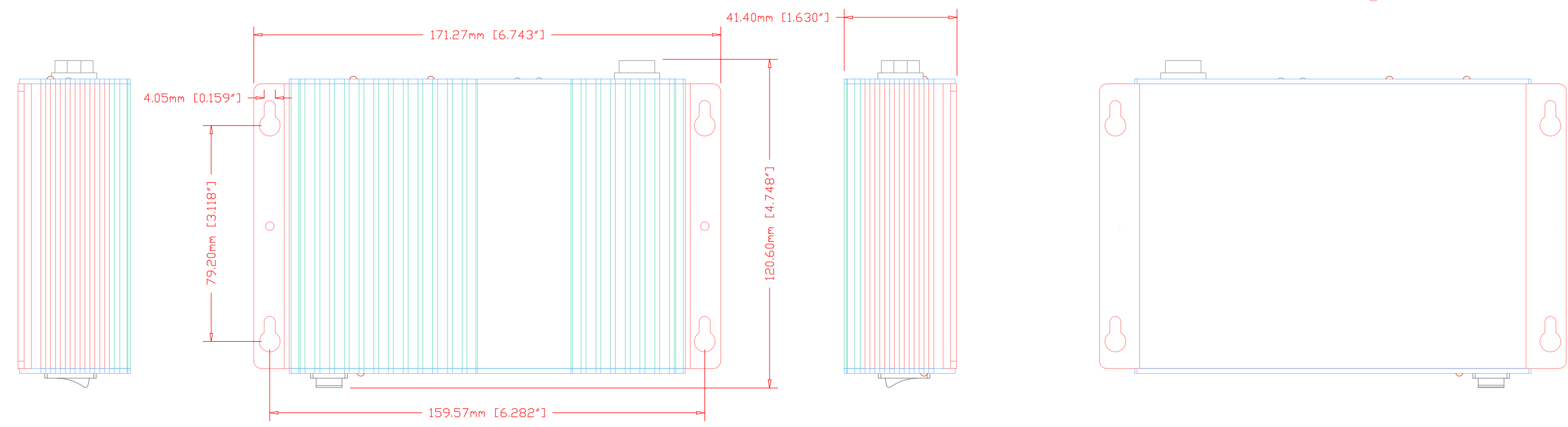
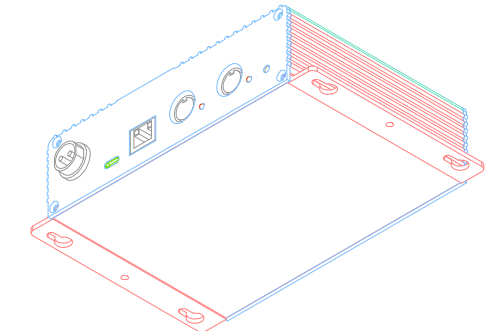
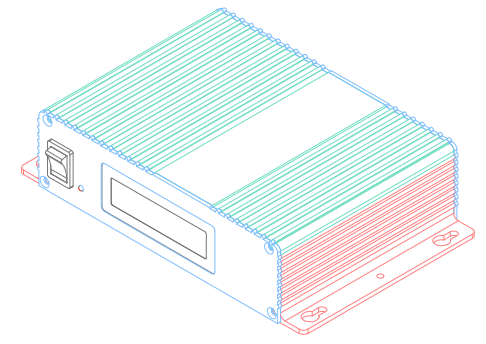
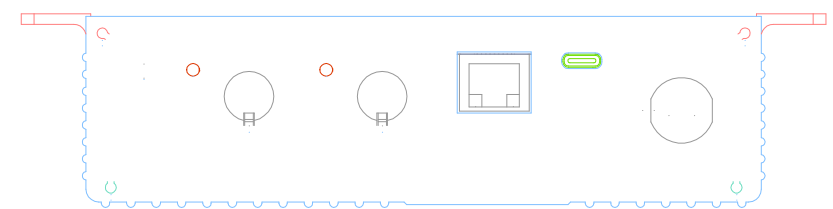


NO.	DESCRIPTION	DATE



PROJECT NAME		PROJECT NO.	
DESIGNED BY	DATE	DRAWING NO.	SCALE
CHECK BY	DATE	UNIT	
APPROVAL BY	DATE	TALDEN INDUSTRIAL CO., LTD.	