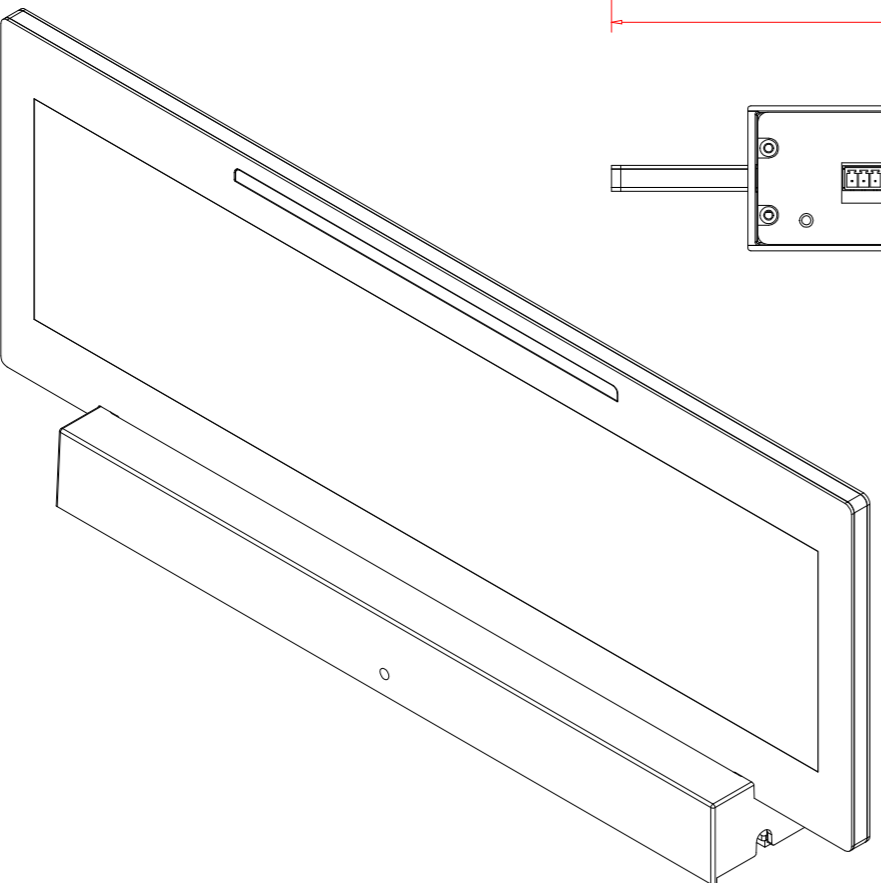
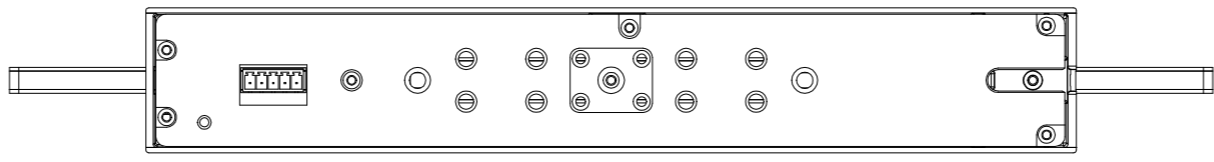
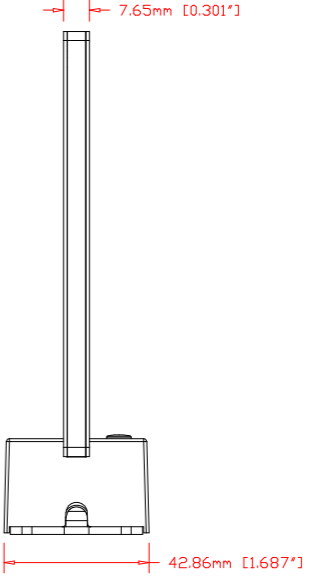
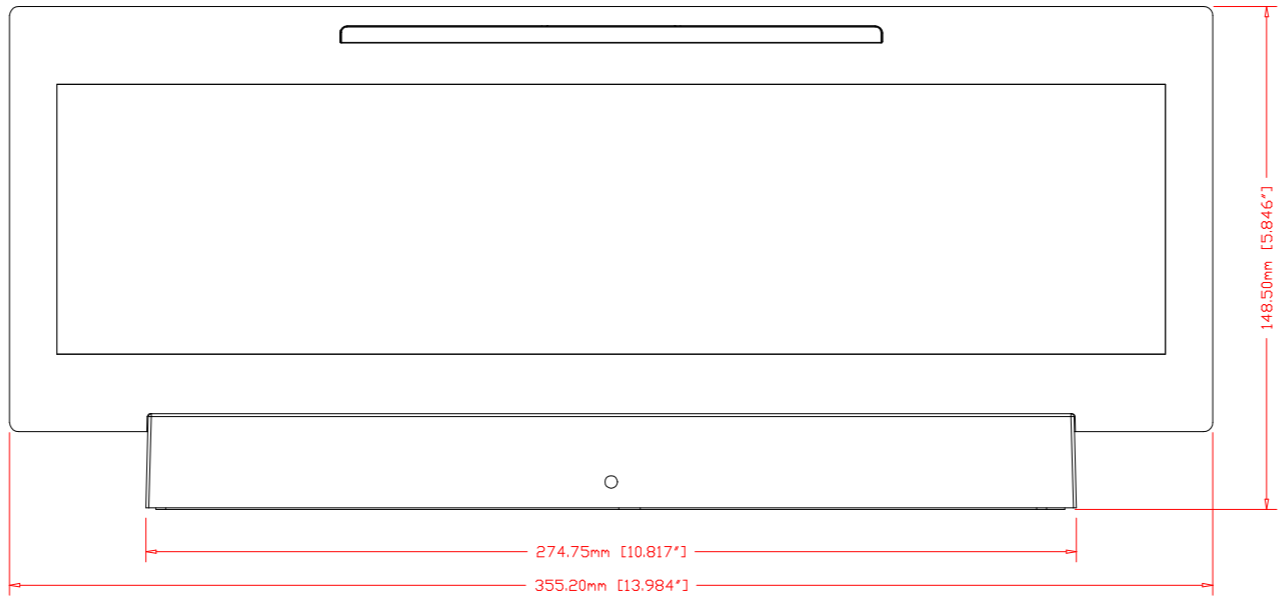
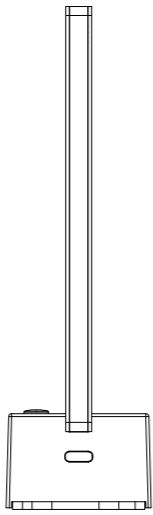


NO.	DESCRIPTION	DATE

HCS-1082N_W



PROJECT NAME		PROJECT NO.	
DESIGNED BY	DATE	SCALE	1st
CHECK BY	DATE		
APPROVAL BY	DATE	TAUDEM INDUSTRIAL COLLEGE	