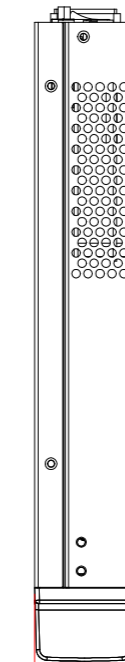
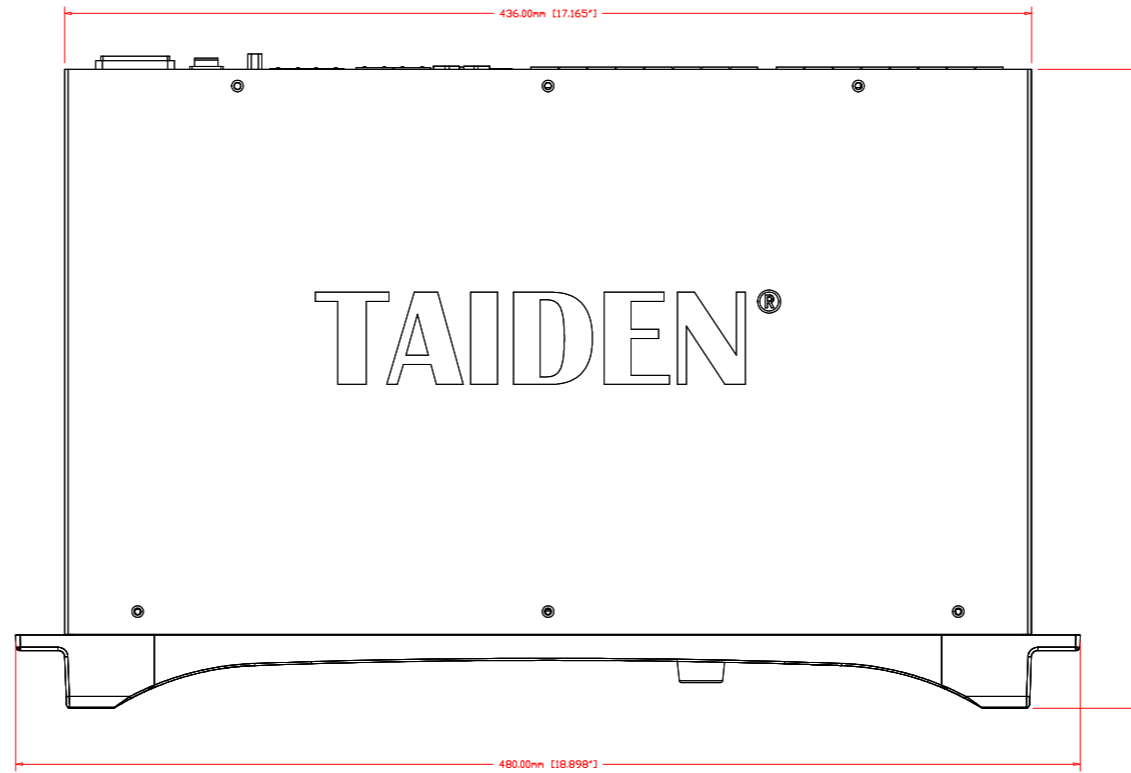
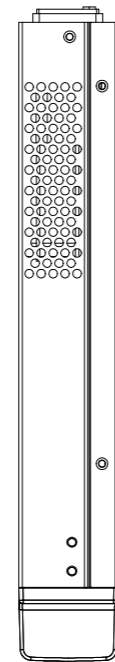
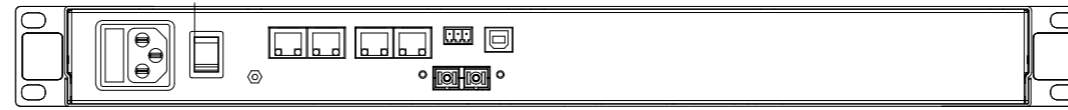
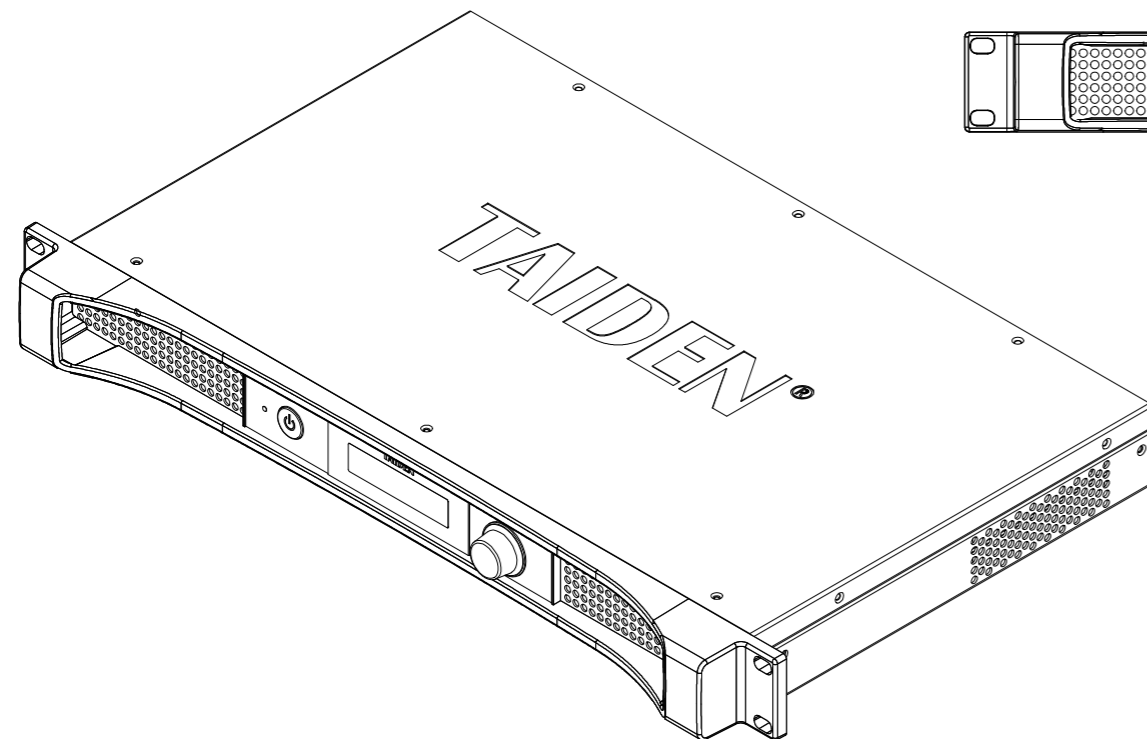
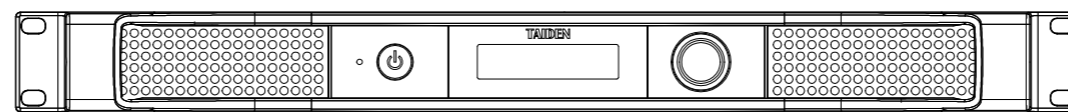


NO.	DESCRIPTION	DATE

HCS-8600MID 08D



45.00mm (1.772")



PROJECT NAME		PROJECT NO.	
DRAWING NAME		DRAWING NO.	
DESIGNED BY	DATE	SCALE	UNIT
	2017-3-16	1:1	
CHECK BY	DATE	UNIT	
APPROVAL BY	DATE		

TAIDEN INDUSTRIAL CO., LTD.