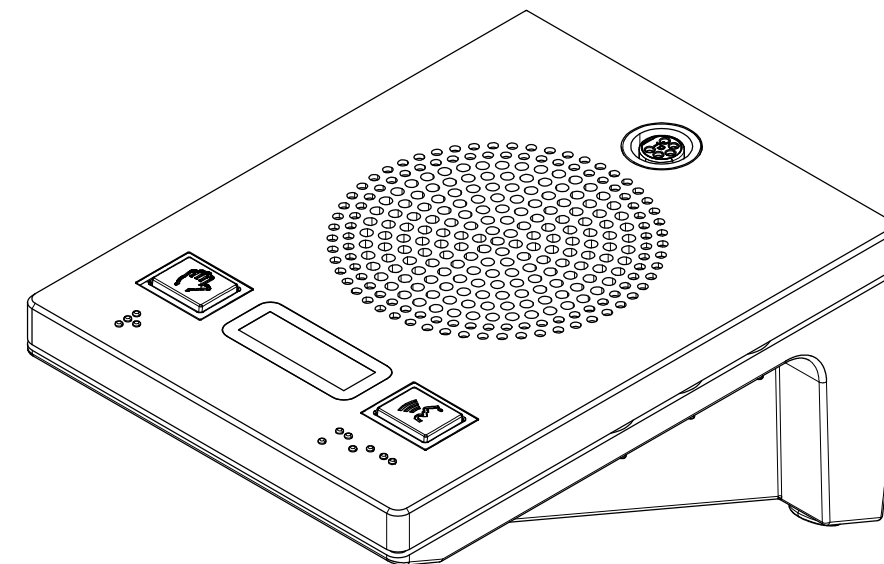
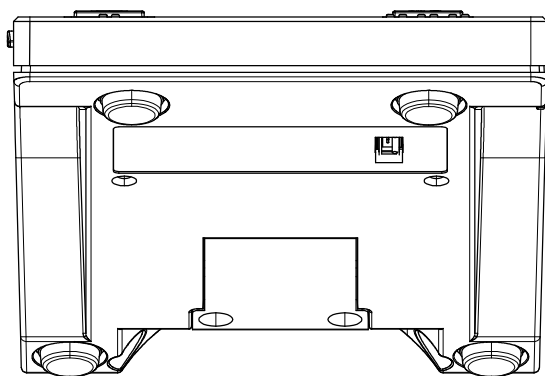
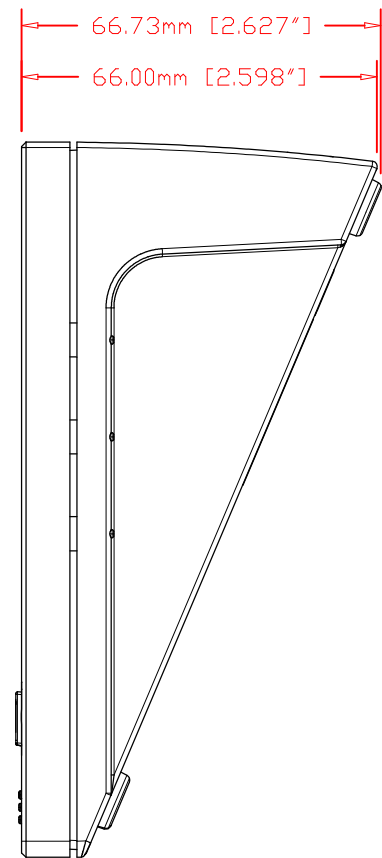
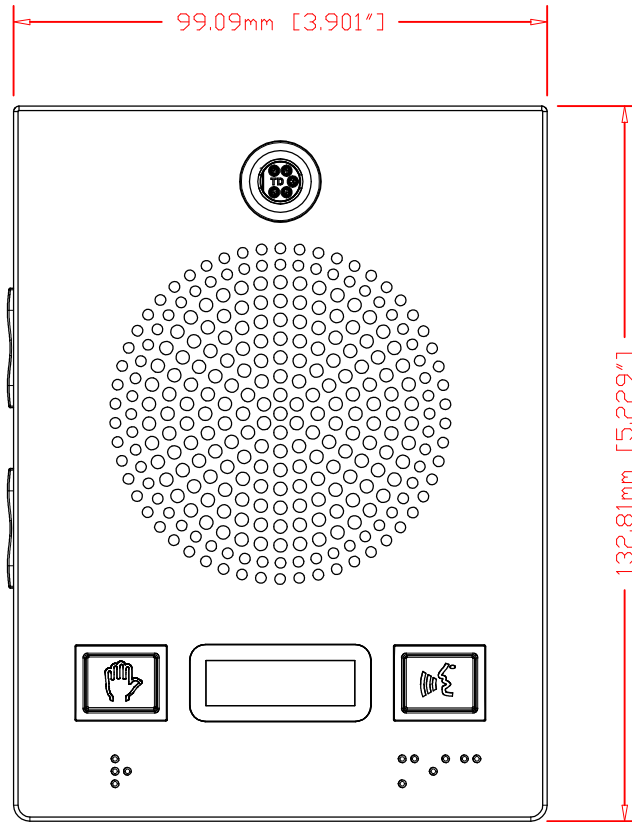
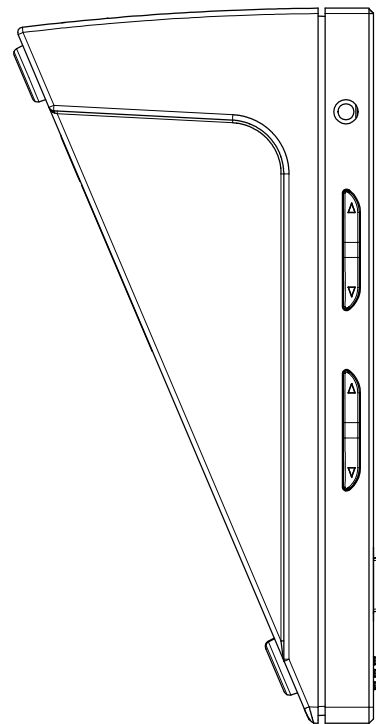
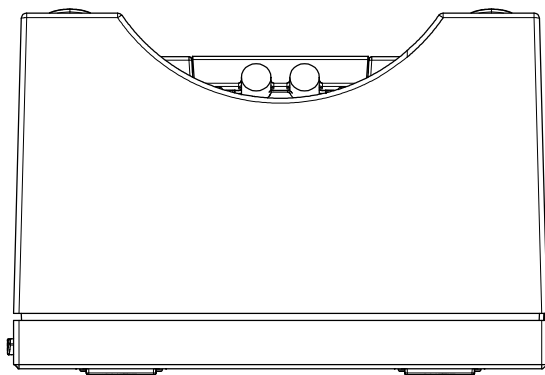


NO.	DESCRIPTION	DATE

HCS-4838DS/80



PROJECT NAME		PROJECT NO.	
DESIGNED BY	L. J. J.	DATE	2017-12-08
CHECK BY		DATE	
APPROVAL BY		DATE	

SCALE: 1/1  
UNIT: MM

**TAMMEN** TAIYEN INDUSTRIAL CO., LTD.