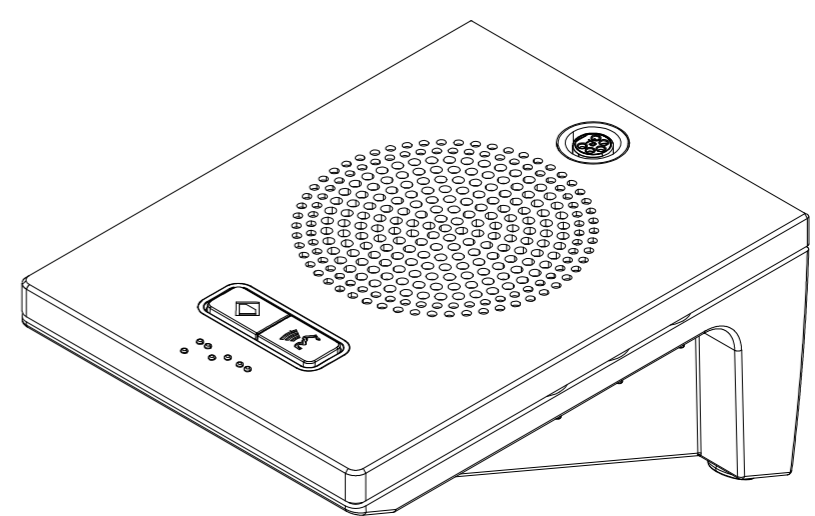
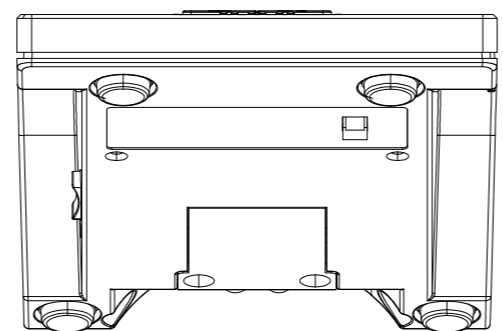
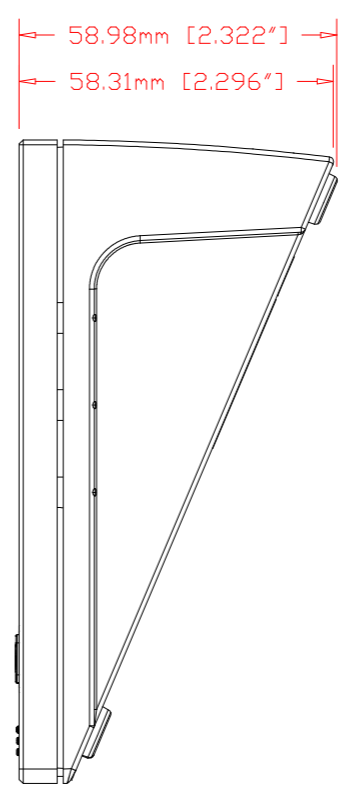
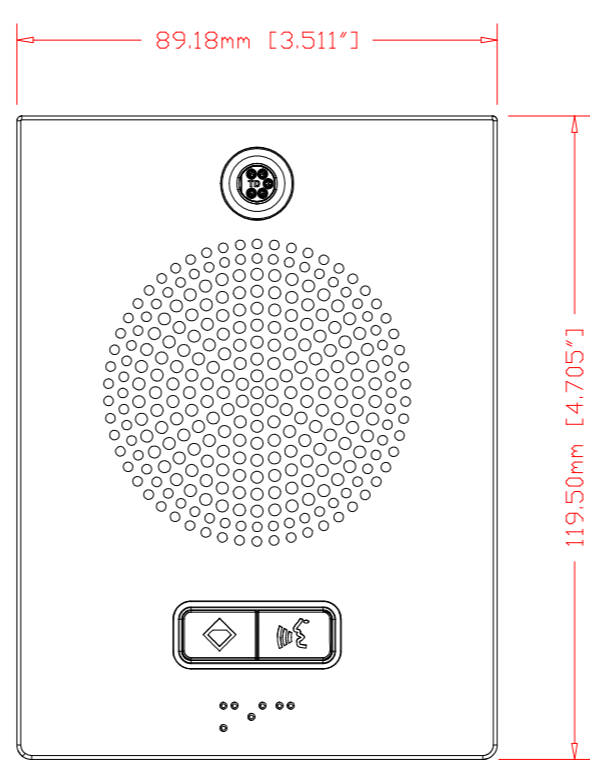
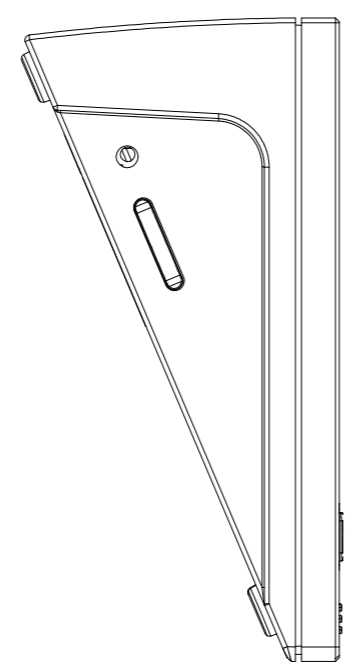
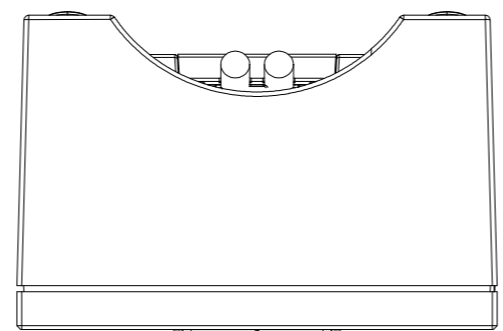


NO.	DESCRIPTION	DATE

HCS-4838C



PROJECT NAME				PROJECT NO.			
DRAWING NAME				DRAWING NO.			
DESIGNED BY	DATE	2021-12-28	SCALE	1:1	CHECK BY	DATE	
APPROVED BY	DATE						