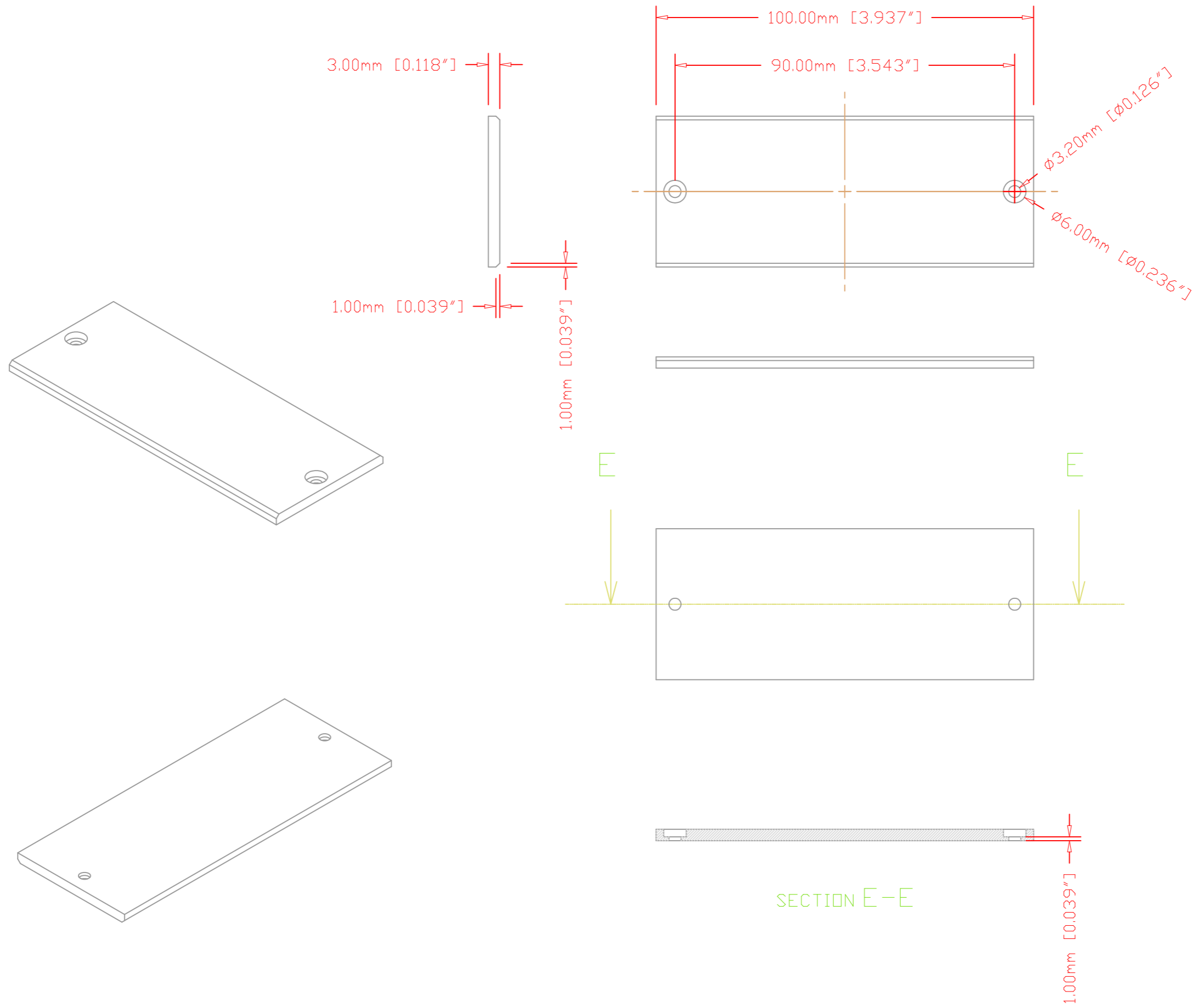


NO.	DESCRIPTION	DATE



PROJECT NAME		PROJECT NO.	
DESIGNED BY	DATE	DATE	SCALE
CHECKED BY	DATE	DATE	UNIT
APPROVED BY	DATE		