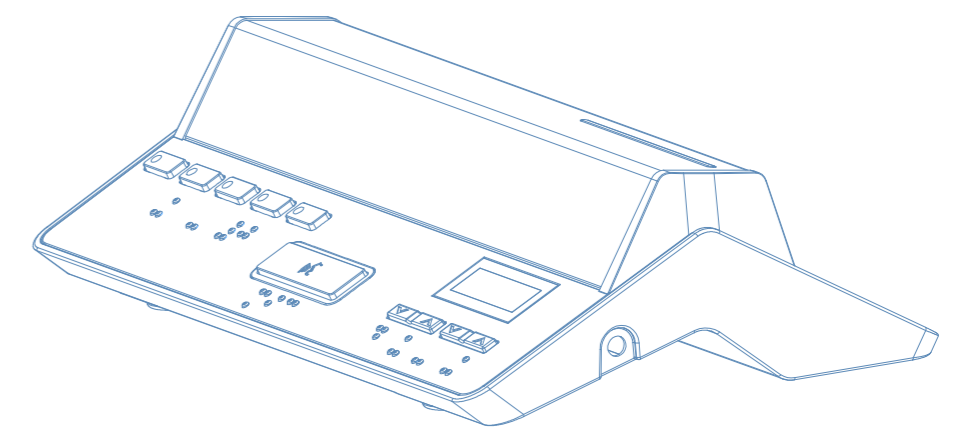
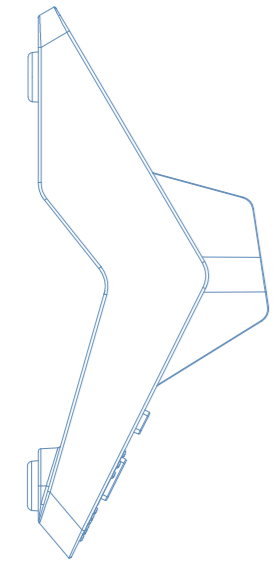
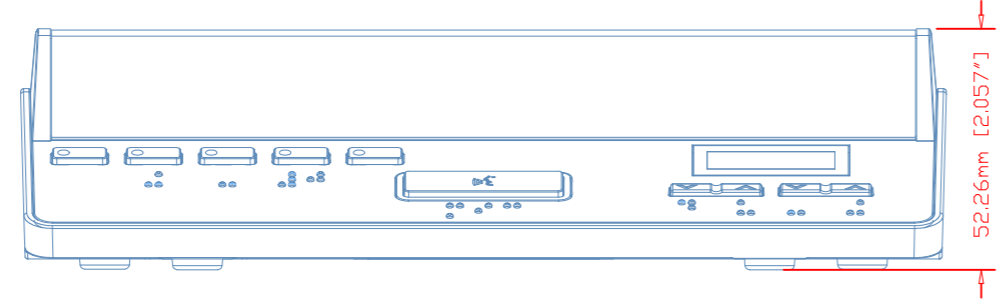
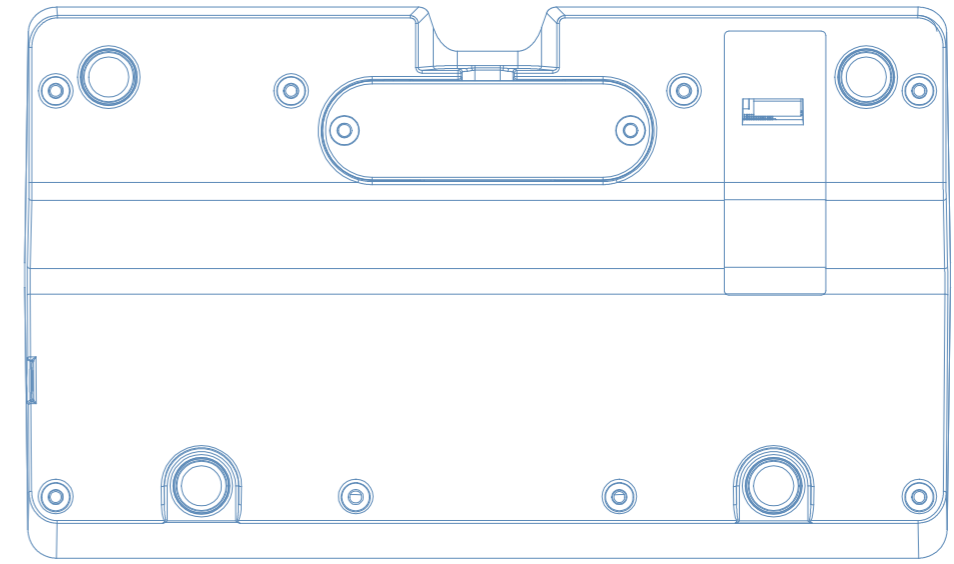
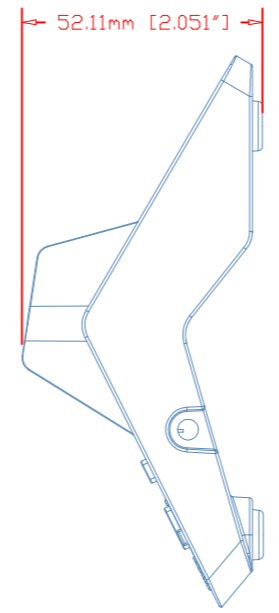
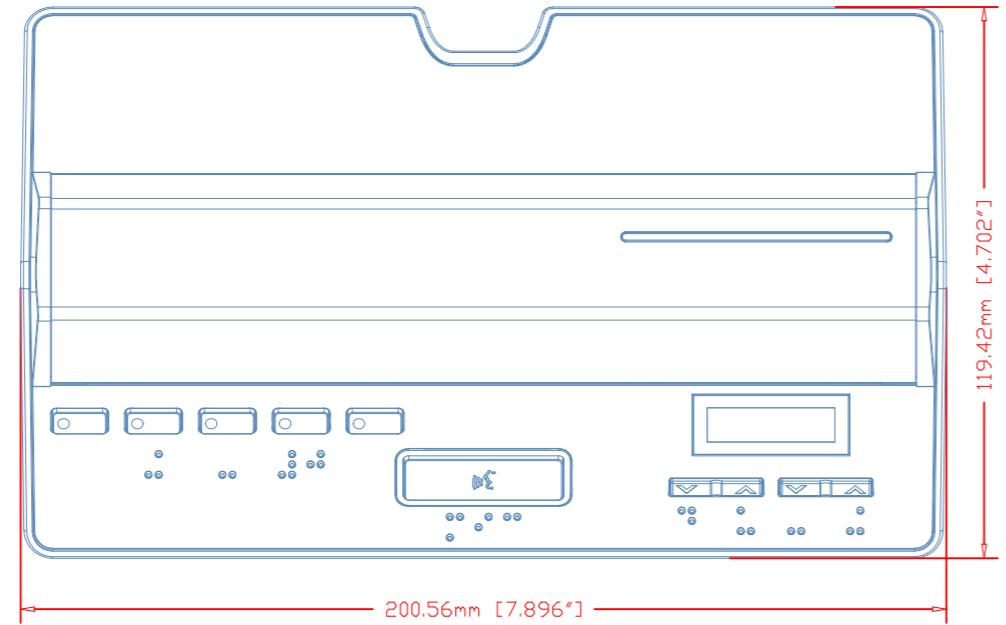
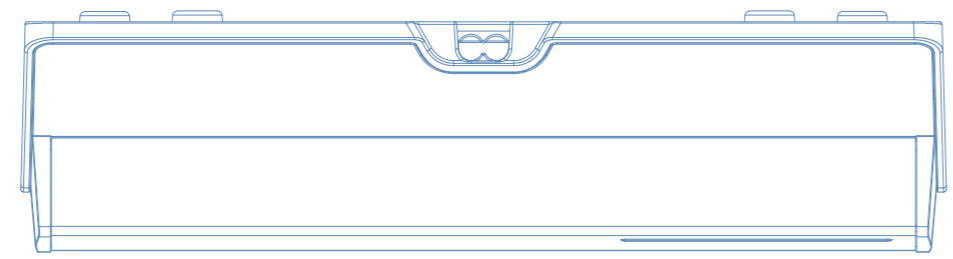


NO.	DESCRIPTION	DATE

HCS-4813D



PROJECT NAME				PROJECT NO.			
DRAWING NAME				DRAWING NO.			
DESIGNED BY	Z. J. Y.	DATE	2022-10-25	SCALE	1:1	UNIT	MM
CHECK BY		DATE					
APPROVAL BY		DATE		TAVIDEN® TAVIDEN INDUSTRIAL CO., LTD.			