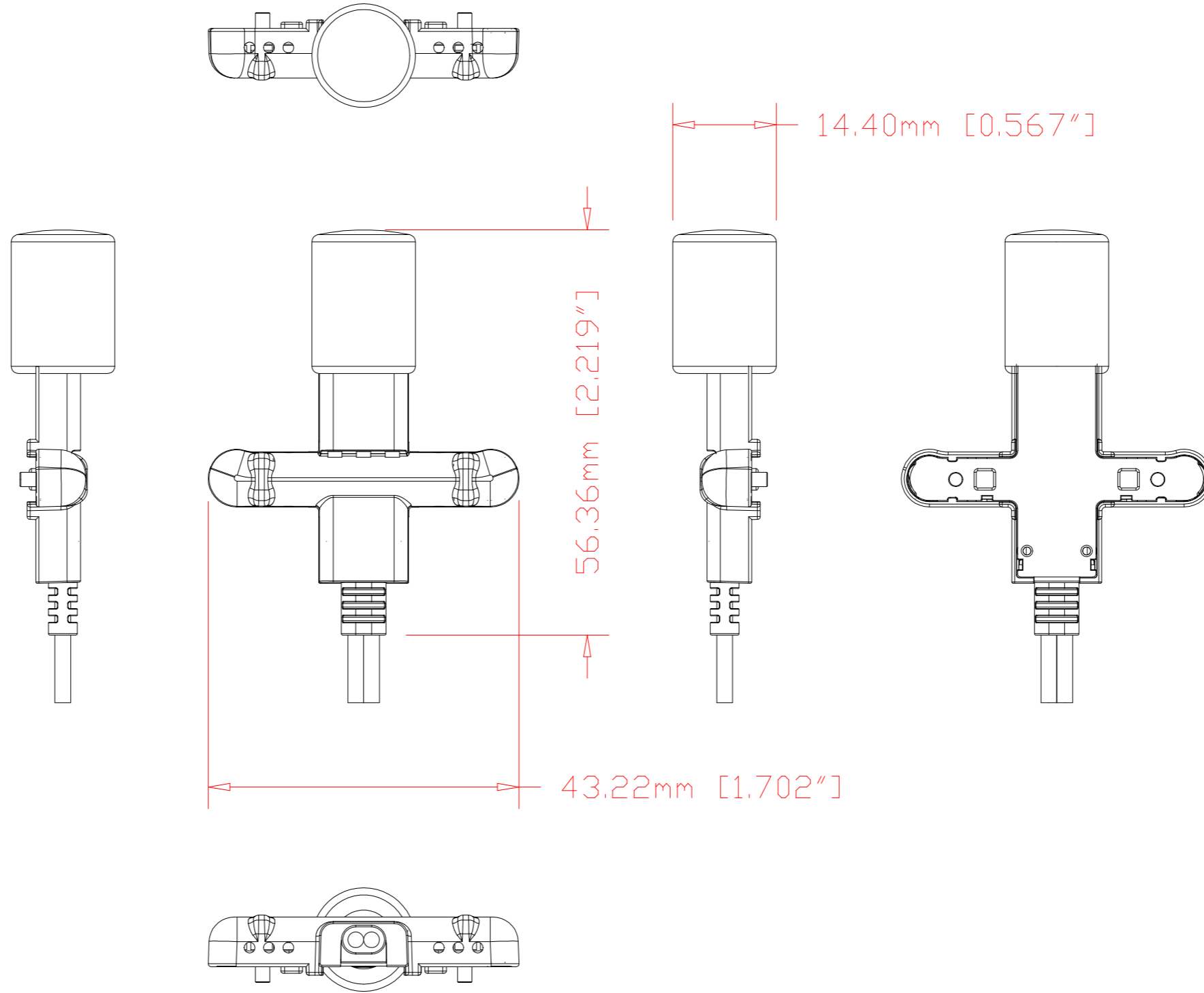



# TES-5608AN

NO.	DESCRIPTION	DATE



PROJECT NAME				PROJECT NO.	
DRAWING NAME				DRAWING NO.	
DESIGNED BY	L. J. J.	DATE	2022-4-22	SCALE	1:1
CHECK BY		DATE		UNIT	
APPROVAL BY		DATE		 TAJUDEN INDUSTRIAL CO., LTD.	