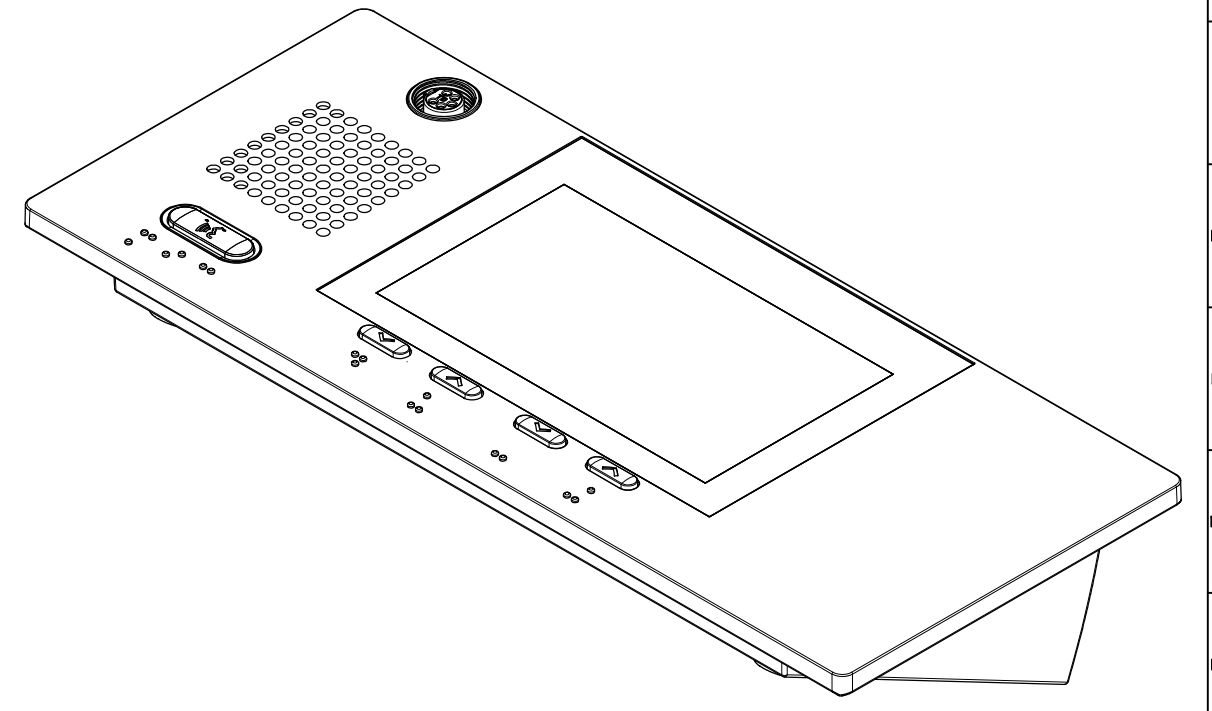
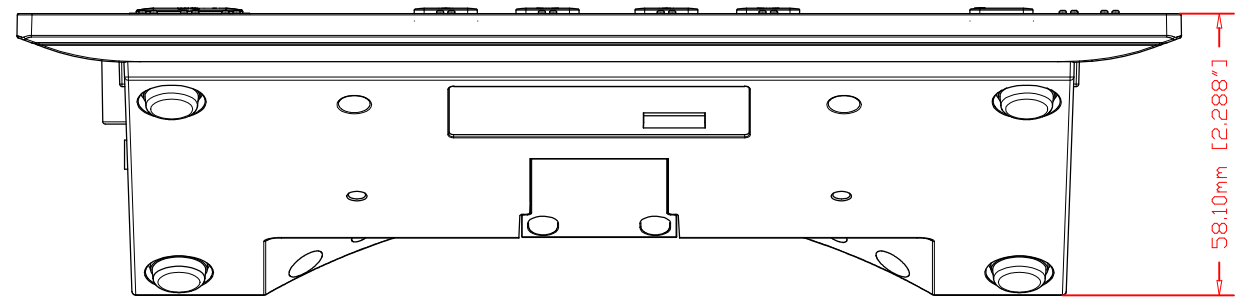
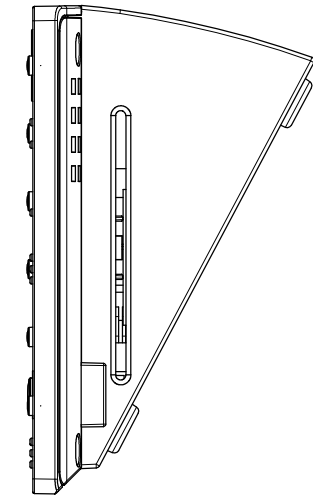
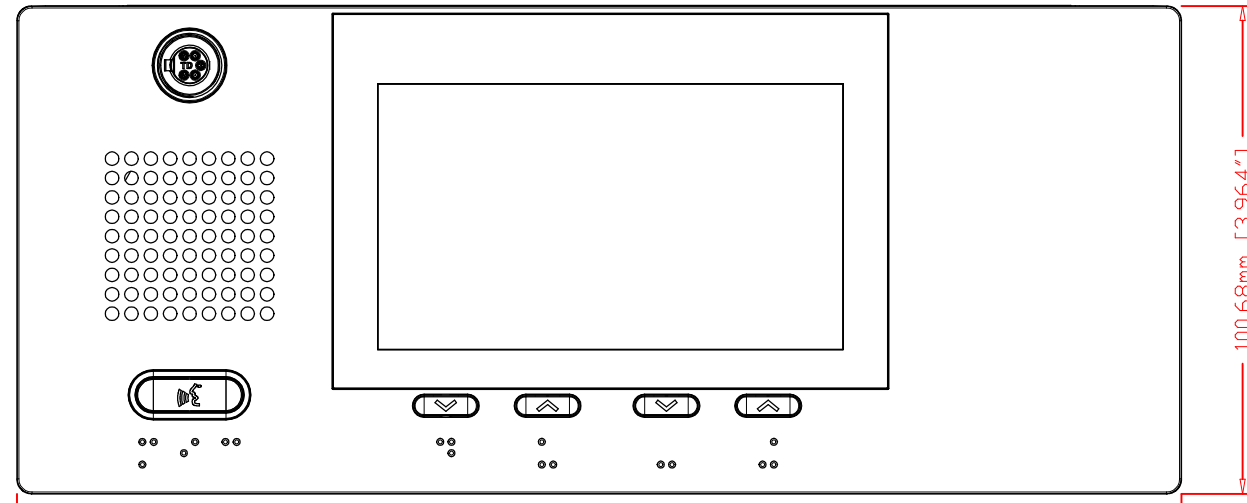
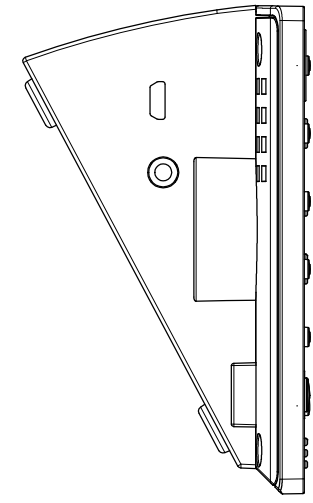
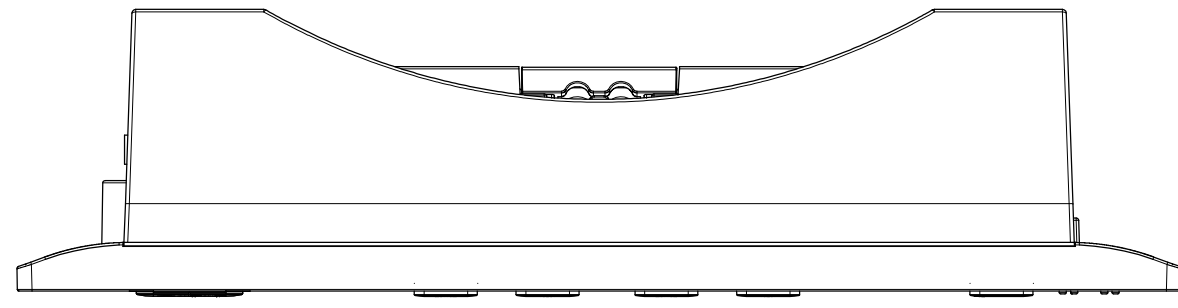


| NO. | DESCRIPTION | DATE |
|-----|-------------|------|
| | | |

HCS-4890NDS_B/80



240.33mm [9.462"]

100.68mm [3.964"]

58.10mm [2.288"]

| PROJECT NAME | | PROJECT NO. | |
|--------------|--|-------------|--|
| | | | |
| | | | |
| | | | |
| | | | |