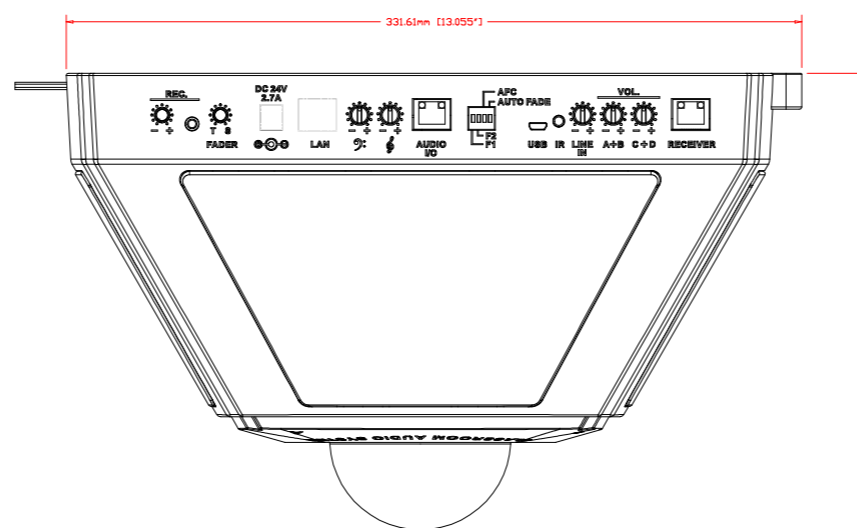
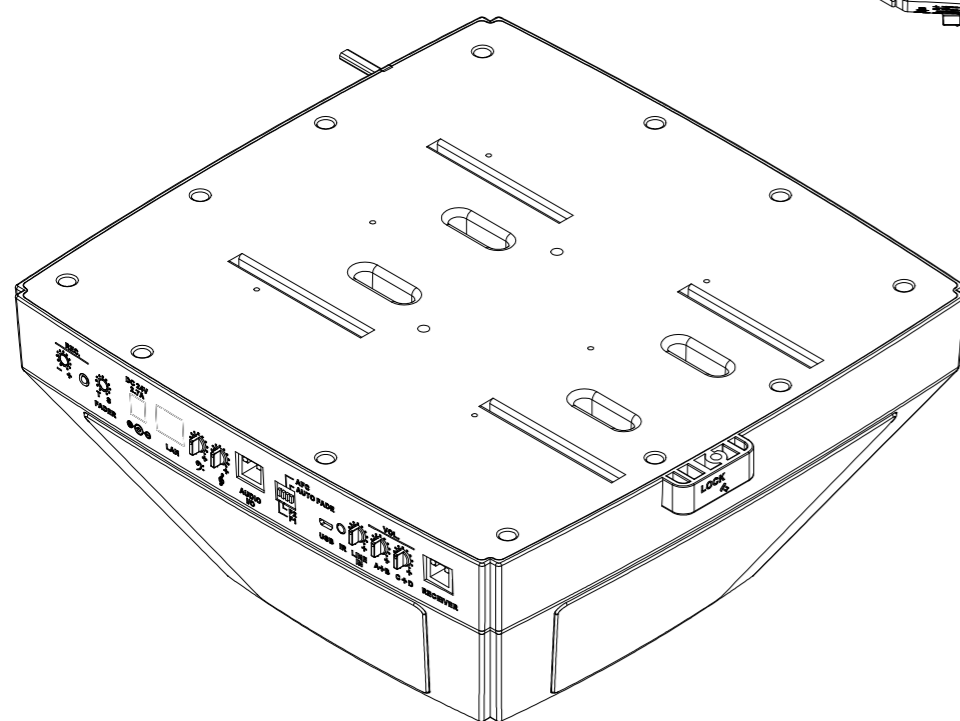
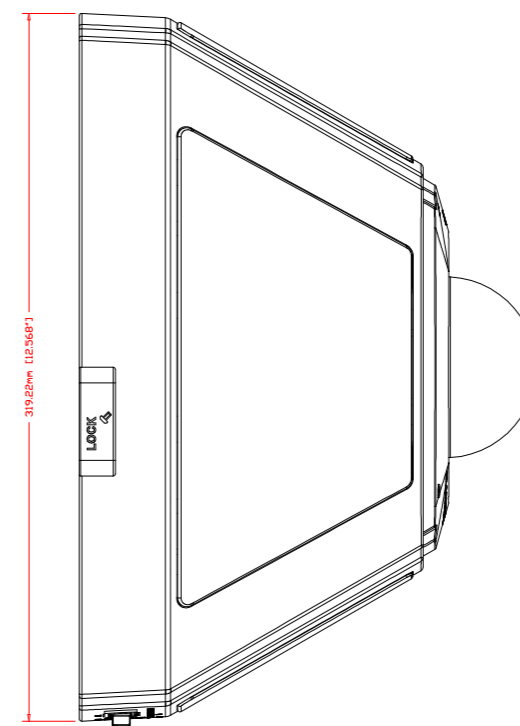
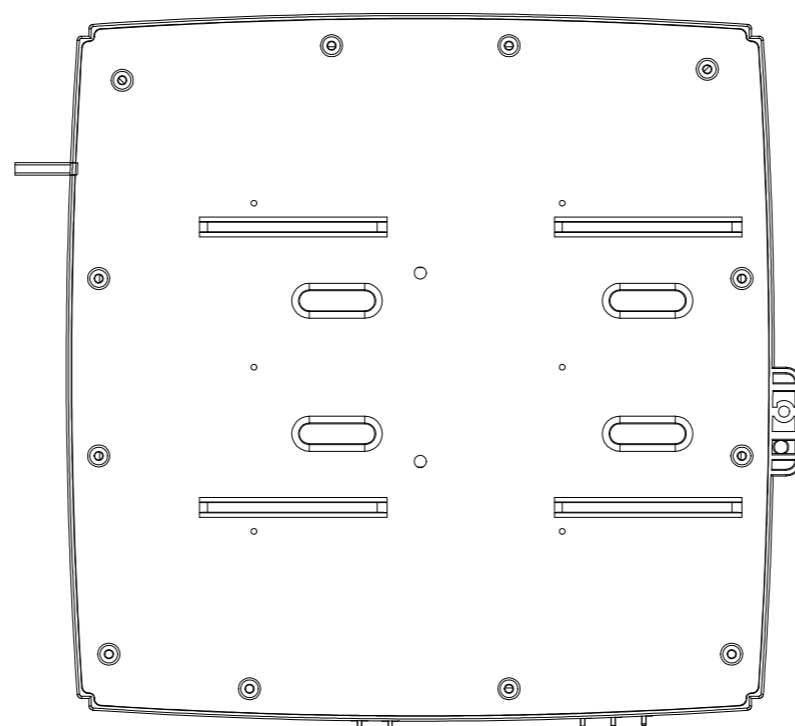
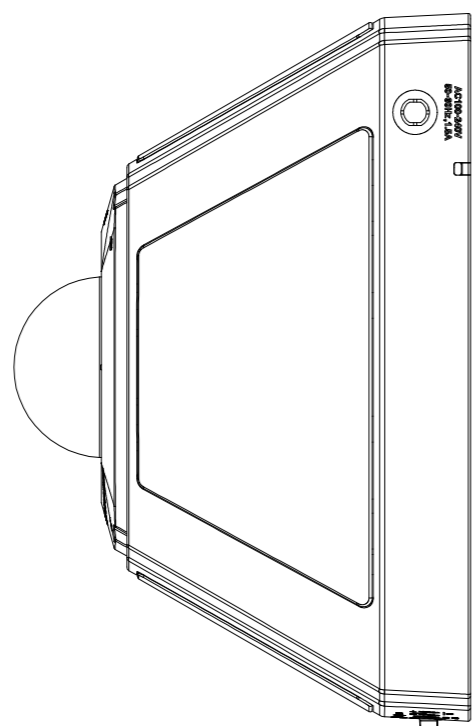
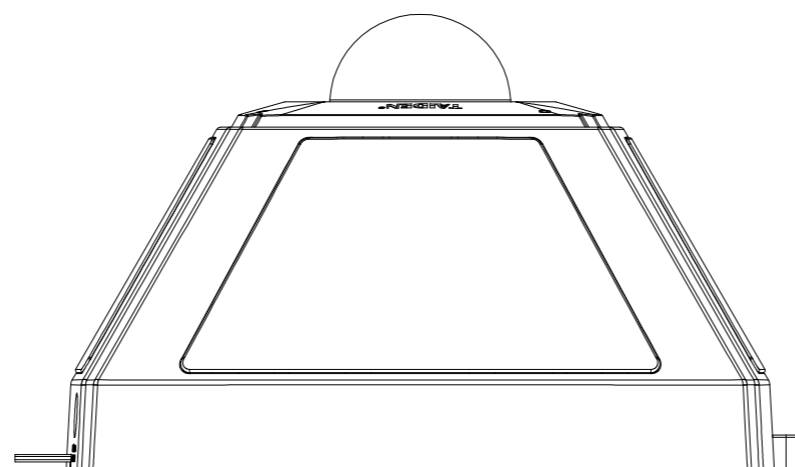


NO.	DESCRIPTION	DATE

TES-5685MB_30



PROJECT NAME				PROJECT NO.			
DRAWING NAME				DRAWING NO.			
DESIGNED BY	L. J. J.	DATE	2022-4-22	SCALE	1:1		
CHECK BY		DATE		UNIT			
APPROVAL BY		DATE		TAVIUMEN® TAVIUM INDUSTRIAL CO., LTD.			